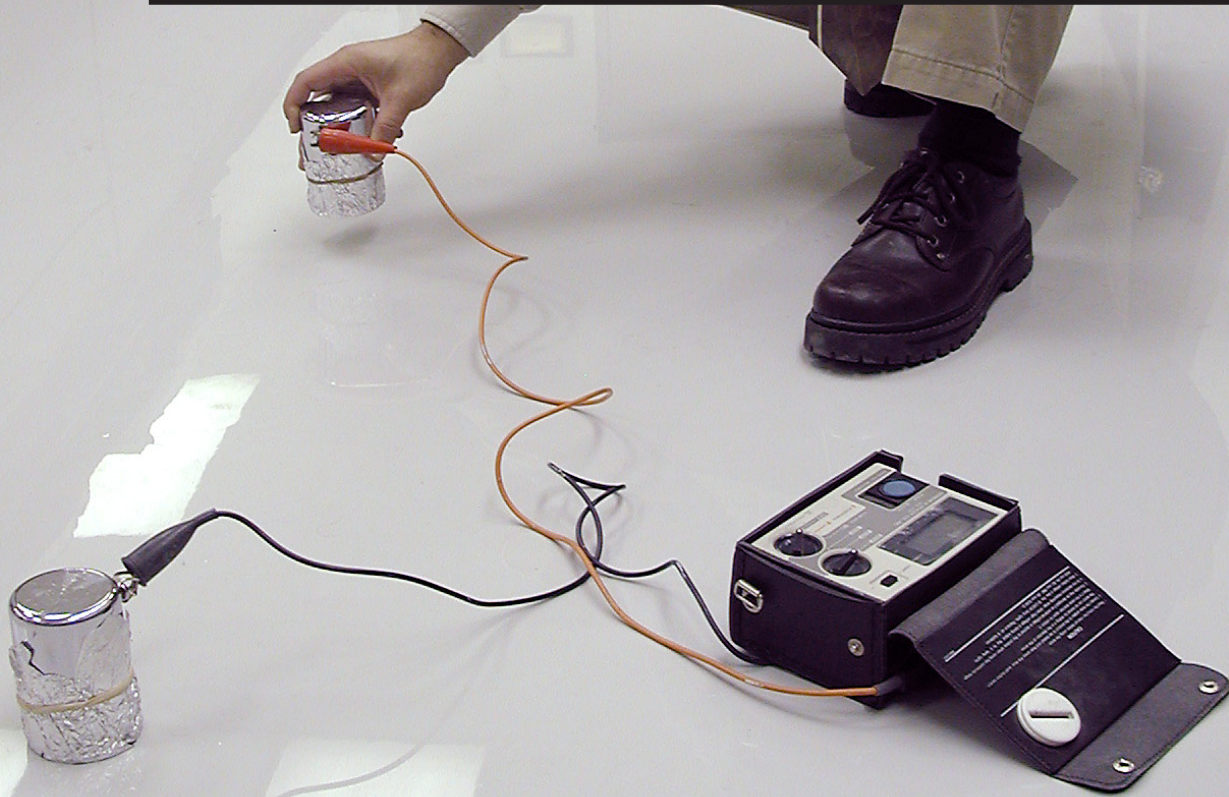


Anti-Static Coating Systems



ESD/Anti-Static Coatings

Coatings for use in areas that require flooring with anti-static properties.



National Polymers Inc.



For use in industries where static charges can be catastrophic

These floor systems are intended to help control electrical static build up that is generated from foot and wheeled traffic. ESD flooring helps to dissipate damaging electrostatic discharge.

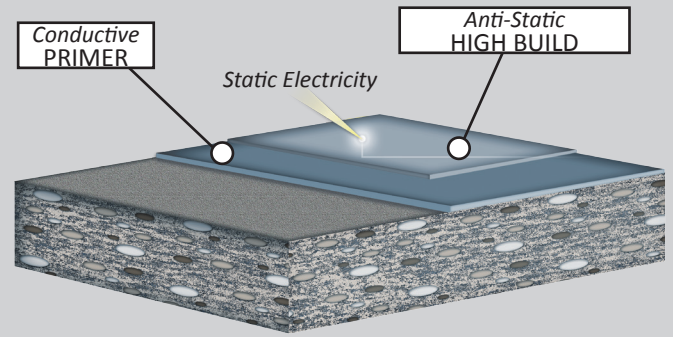
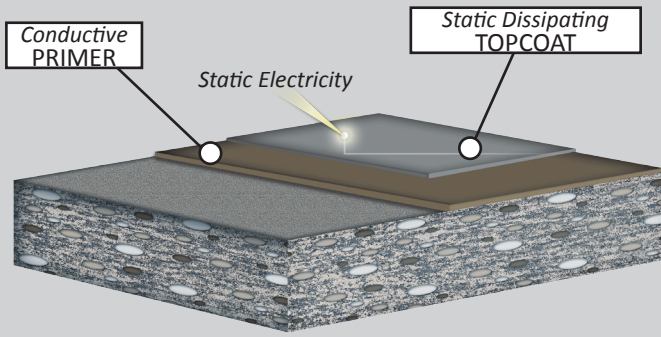
These type of floors are often a necessity in environments that manufacture electronic equipment and flammable or combustible materials.

Our products provide permanent anti-static properties for the lifetime of the coating system. Available for use in thin mil or high build systems.

TYPICAL APPLICATIONS

- ✦ *Electronic Manufacturing*
- ✦ *Photography Rooms*
- ✦ *Telecommunications Industry*
- ✦ *Medical Facilities*
- ✦ *Data Centers*
- ✦ *Server Rooms*
- ✦ *Plastic Manufacturing*
- ✦ *Clean Rooms*
- ✦ *Solvent Storage Areas*

Our Systems



THIN MIL SYSTEM COMPONENTS (approx 1/16th)

Coat	Product	Mix	Coverage
Primer	144C Anti-Static Conductive Primer	1:1	229 to 320 sf/gal
Copper Ground Tape			
Body	324C Static Dissipating Urethane	2:1	320 to 500 sf/gal

PHYSICAL PROPERTIES

Property	Result	Test Method
Adhesion	380 psi (concrete failure)	
Flexibility	No cracks on 1/8" mandrel	
Impact Resistance	50 inch lbs. direct	Gardner Impact, direct & reverse
Abrasion Resistance	23 mg	CS-17 1000/500
Electrical Resistance	10 ⁵ - 10 ⁹ OHMS	ASTM F150-89
Gloss	>60 @ 60°	Glossmeter
Application Temperature	45° to 90° F	

HIGH BUILD SYSTEM COMPONENTS (approx 1/16th)

Coat	Product	Mix	Coverage
Primer	145CP Conductive Epoxy Primer	1:1	229 to 267 sf/gal
Copper Ground Tape			
Body	183C Static Dissipating High Build	2:1	64 sf/gal

PHYSICAL PROPERTIES

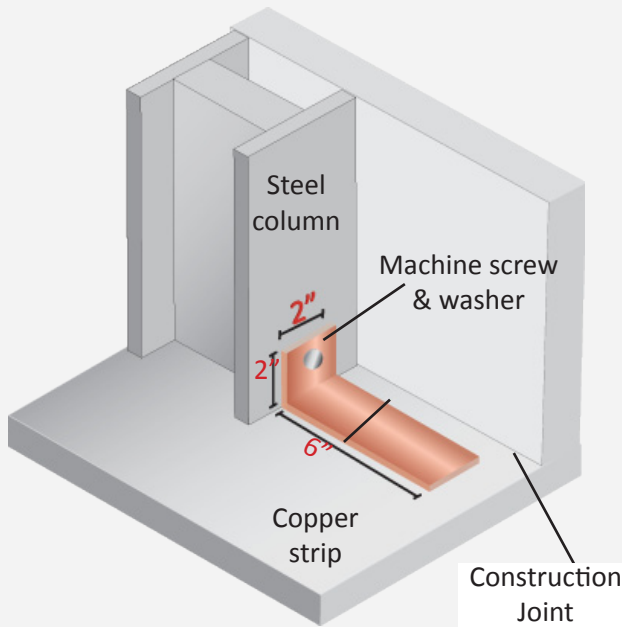
Property	Result	Test Method
Adhesion	400 psi (concrete failure)	
Flexural Strength	12,400 psi	ASTM D790
Compressive Strength	10,600 psi	ASTM D695
Tensile Strength	8,100 psi	ASTM D638
Elongation	3.1%	
Impact Resistance	50 inch lbs. direct	
Abrasion Resistance	20 mg	CS-17 1000/500
Electrical Resistance	10 ⁵ - 10 ⁹ OHMS	ASTM F150-89
Gloss	>50 @ 60°	Glossmeter
Application Temperature	50° to 90° F	



For all products: Refer to individual data sheets for preparation, mixing, application instructions, and product limitations. Read our limitations of liability and warranty information. Product specifications are based on ASTM F150-89 over concrete and tested at 500V.

Anti-Static Flooring

Illustrated Ground Methods



Alternatives for floor grounding and floor/wall junctions

